



ROOF MOUNTED FANS TMPB / TMPT Series

TMPB/6-30 0,37KW
(230V50HZ) VE



Centrifugal roof fan with forward curved impeller. Scroll manufactured from injected moulded polypropylene UV resistant. Wheel manufactured from injection moulded polypropylene plastic with retaining hub. Cowl manufactured from polypropylene UV resistant. Screws in stainless steel. Working temperature from -10 to 60 °C.

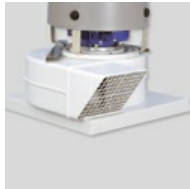
Motors

Three phase motors 230/400V or 400V 50Hz (TMPT) or single phase 230V-50Hz (TMPB), IP55, Class F, direct driven.

+ Attributes



Discharge protection
Discharge protection guard incorporated.



Support base
Plastic base to ease the installation on the roof.



Motor cowl
Plastic motor cowl to protect the motor.

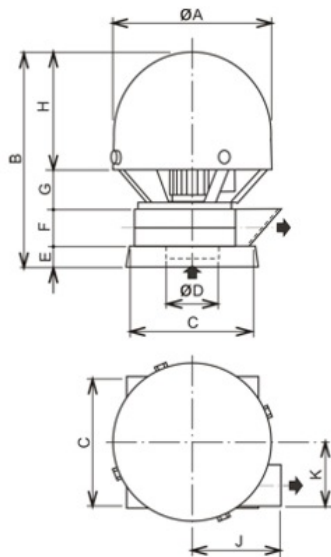
+ Acoustic characteristics

Hz	63	125	250	500	1k	2k	4k	8k	Overall
Inlet (LwA)	44	62	64	72	72	69	67	63	77
Inlet LpA @ 1.5m	29	47	49	57	57	54	52	48	63
Outlet (LwA)	45	56	66	73	73	70	68	63	78
Outlet LpA @ 1.5m	30	41	51	58	58	55	53	48	63

+ Technical characteristics

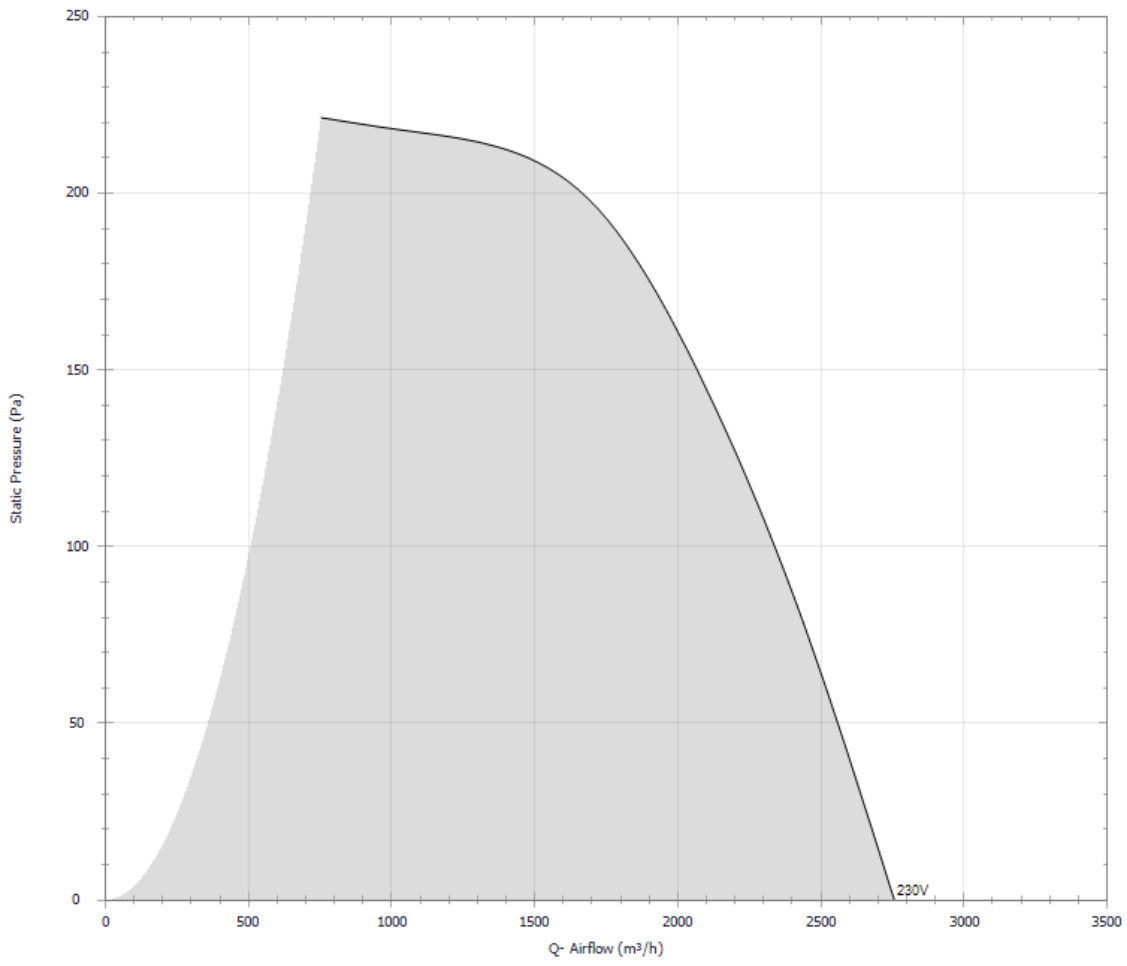
Unfortunately an error occurred.

+ Dimensions

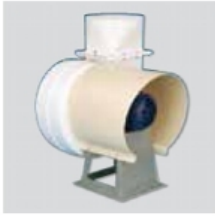


A	B	C	D	E	F	G	H	J	K
385	725	602	315	50	202	113	360	424	347

+ Curves



+ Mounting Accessories



CMP-14 to 42



CMP-50, 60 and 70

CMP
Motor shield



CTP-N
Rain cowl
Discharge terminal with
rain sleeve.



DEF-CIR
Protection guard
To prevent any contact with the
impeller fan.
To install at the inlet side.



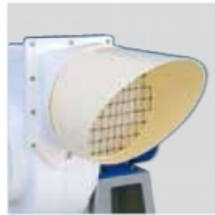
REP-400/355
PVC reducer used to connect
sections of different
diameters.



ACP-N
Outlet transformation
connector
Provided with a sliding blade to
control the airflow.



MFP-N
Inlet flexible
connector
Fan inlet flexible
coupling.



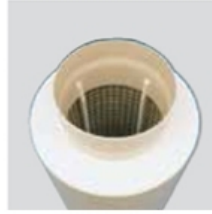
APP-N
Discharge protection guards
For direct connection to the
circular outlet flange.



CARP-N
Circular damper
Manually operated
circular damper.



APR
Protection guard
Protection guards for direct
connection to the rectangular
outlet flange. Provided with a
sliding blade to control the
airflow.



SILP
Silencer
Silencer to be installed either
at the inlet or outlet of the fan.