



# CENTRIFUGAL SINGLE INLET FANS CXRT Series, F400- 120 Rated Fans

CXRT/4/6-500-1,5/0,45KW  
RD000 \*400V 50\*



Range of single inlet direct driven centrifugal fans designed for smoke extraction in fire conditions and certified F400-120 (CE marked) and suitable for the continuous extraction of air stream up to 120°C. The CXRT range is supplied with galvanized steel plate housing mounted with Pittsburgh system. Welded backward curved centrifugal impellers protected by epoxy paint.

## Motors

All motors are IP55, Class F.  
2, 4, 6 or 8 pole, depending on version.  
2 speed models (2/4, 4/6, 4/8, 6/8 and 6/12).  
Electrical supply:  
Three phase 230/ 400V-50Hz up to 3 kW.  
400V-50Hz for higher motor powers and 2 speed motors.  
(See characteristics chart).

## Additional information

The scroll can be orientated in 3 different positions as per the table below.  
Standard supplied position: RD0.

## On request:

Fan supplied in LG positions.  
Versions protected against corrosion by epoxy paint coating.  
Fan fitted with 2-speed motor.

## + Attributes



### Watertight scroll

Range of fans supplied as standard with housing mounted with the Pittsburgh system ensuring water tightness



### Welded impeller,

### dynamically balanced

Backward curved centrifugal impellers, protected with epoxy paint coating and dynamically balanced, according to ISO 1940 standard, providing vibration free operation

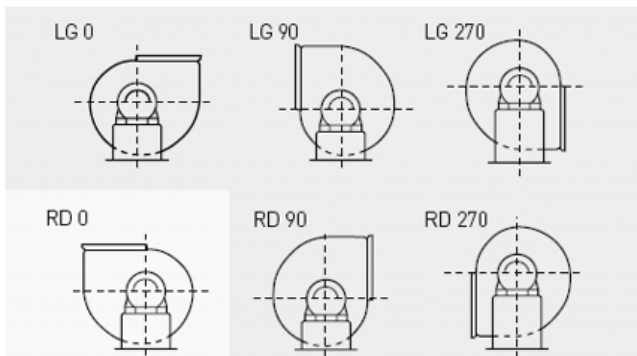
## + Acoustic characteristics

Hz	63	125	250	500	1k	2k	4k	8k	Overall
Inlet (LwA)	88	85	88	83	83	79	76	71	93
Inlet LpA @ 1.5m	73	70	73	68	68	64	61	56	78
Outlet (LwA)	82	86	89	81	81	77	72	69	92
Outlet LpA @ 1.5m	67	71	74	66	66	62	57	54	78
Breakout (LwA)	67	72	74	67	68	63	54	43	78
Breakout LpA @ 1.5m	52	57	59	52	53	48	39	28	63

## + Technical characteristics

Unfortunately an error occurred.

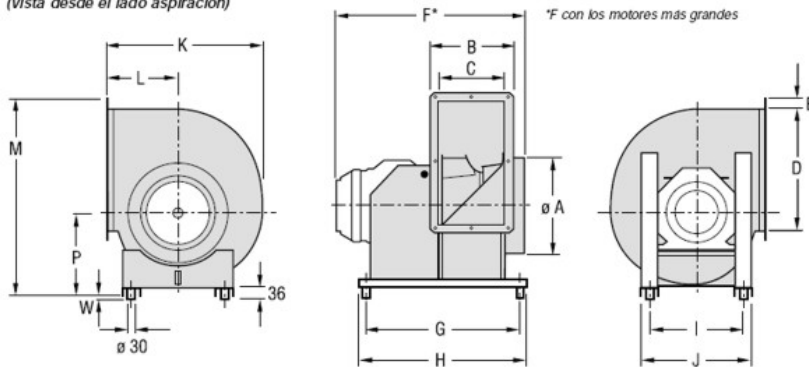
## + Orientation



Standard supplied position: RD 0. Special versions are supplied under request.

## + Dimensions

Rotación directa RD  
(Vista desde el lado aspiración)

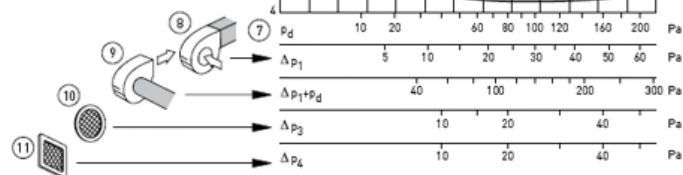
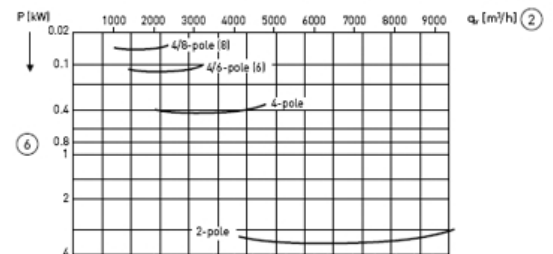
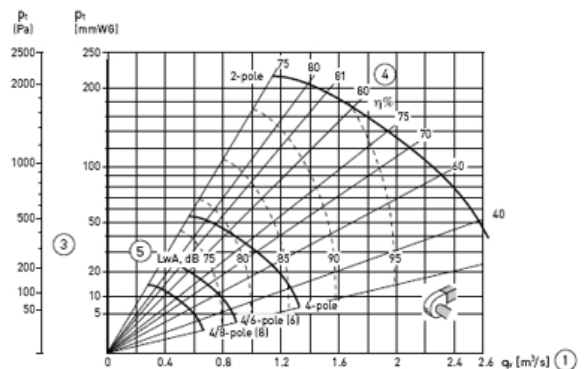


A	B	C	D	E	F	G	H	I	J	K	L	M	P	W
495	394	328	638	30	895	776	826	390	450	800	352	972	400	11

## + Curve - Example of selection

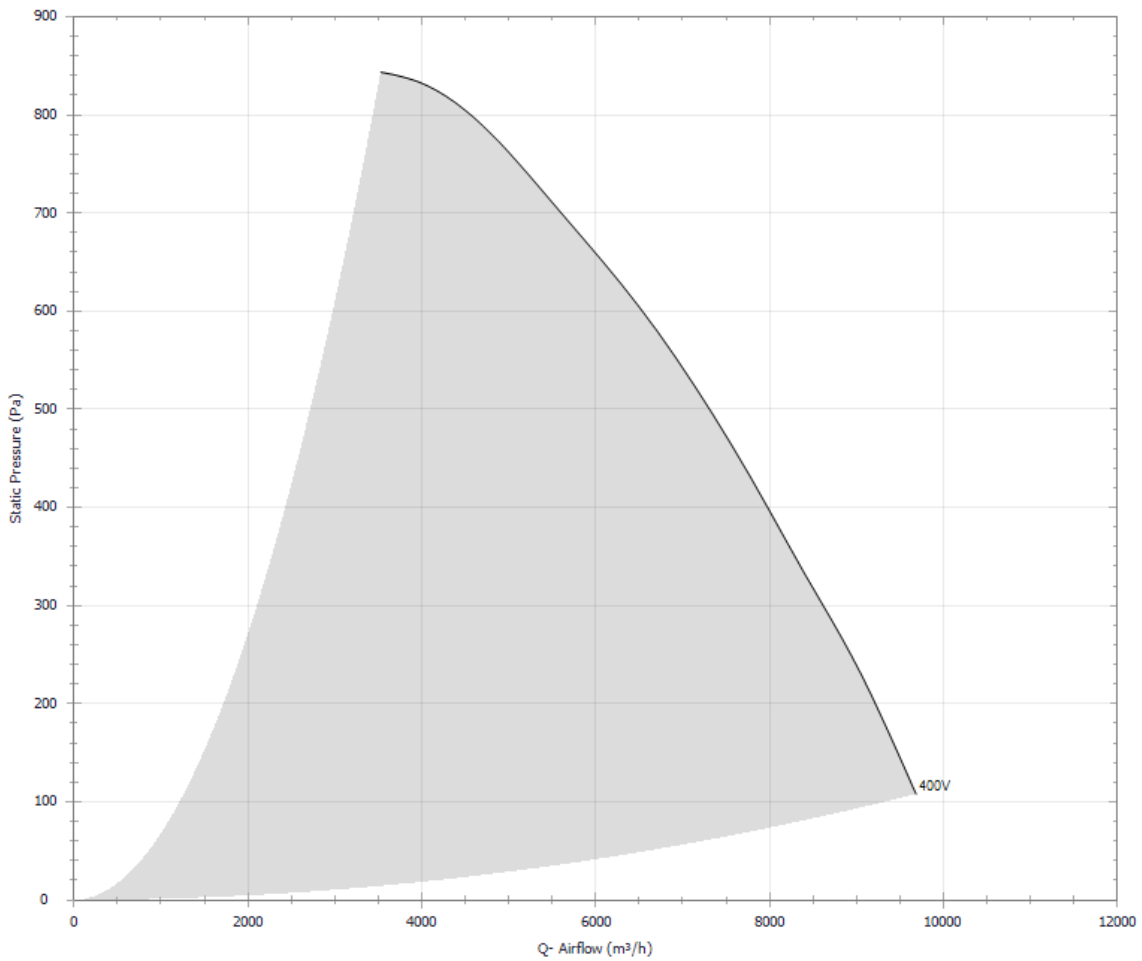
Performance curves are applicable for airflows whose density is 1,2 kg/m<sup>3</sup>.

- ① = Airflow in m<sup>3</sup>/s
- ② = Airflow in m<sup>3</sup>/h
- ③ = Total pressure in Pa and in mmWG
- ④ = Fan performance  $\eta$ , %
- ⑤ = Sound power level in LwA
- ⑥ = Motor power absorbed at the fans shaft P(kW)
- ⑦ = Dynamic pressure at the discharge side Pd
- ⑧ = Resistance at free inlet,  $\Delta p_1$
- ⑨ = Resistance at free discharge,  $\Delta p_2 + p_d$
- ⑩ = Resistance at inlet guard/protection guard,  $\Delta p_3$
- ⑪ = Resistance at inlet discharge,  $\Delta p_4$



1 mmWG = 9,8 Pa

## + Curves



## + Mounting Accessories



**KRXD**  
Rectangular guard for mounting at the CXRT fan outlet.



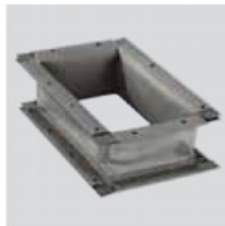
**KXBD**  
Outlet flange.



**ACPEL F400 N \***  
Circular flexible connector.  
Certified F4U0-120.



**KRXA**  
Proof guard for mounting at the CXF fan inlet.



**KAXD**  
Rectangular flexible connector for mounting at the CXRT fan outlet.

\* For more information see Mounting Accessories.