



CENTRIFUGAL SINGLE INLET FANS CXRT Series, F400- 120 Rated Fans

CXRT/4-315-0,25KW RD000

230/400V 50



Range of single inlet direct driven centrifugal fans designed for smoke extraction in fire conditions and certified F400-120 (CE marked) and suitable for the continuous extraction of air stream up to 120°C. The CXRT range is supplied with galvanized steel plate housing mounted with Pittsburgh system. Welded backward curved centrifugal impellers protected by epoxy paint.

Motors

All motors are IP55, Class F.

2, 4, 6 or 8 pole, depending on version.

2 speed models (2/4, 4/6, 4/8, 6/8 and 6/12).

Electrical supply:

Three phase 230/ 400V-50Hz up to 3 kW.

400V-50Hz for higher motor powers and 2 speed motors.

(See characteristics chart).

Additional information

The scroll can be orientated in 3 different positions as per the table below.

Standard supplied position: RD0.

On request:

Fan supplied in LG positions.

Versions protected against corrosion by epoxy paint coating.

Fan fitted with 2-speed motor.

+ Attributes



Watertight scroll

Range of fans supplied as standard with housing mounted with the Pittsburgh system ensuring water tightness



Welded impeller,

dynamically balanced

Backward curved centrifugal impellers, protected with epoxy paint coating and dynamically balanced, according to ISO 1940 standard, providing vibration free operation

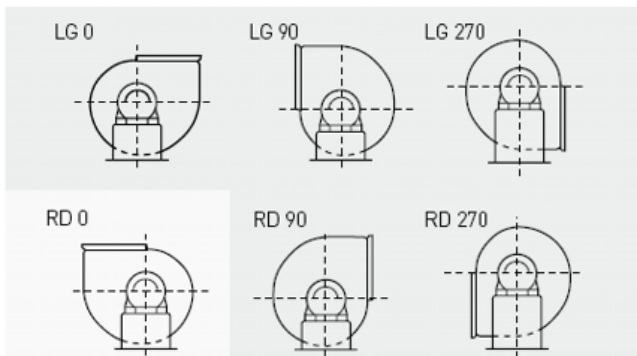
+ Acoustic characteristics

Hz	63	125	250	500	1k	2k	4k	8k	Overall
Inlet (LwA)	74	72	76	72	68	62	62	56	80
Inlet LpA @ 1.5m	59	57	61	57	53	48	47	42	65
Outlet (LwA)	72	70	75	67	64	63	56	54	78
Outlet LpA @ 1.5m	57	55	60	52	49	48	41	39	63
Breakout (LwA)	59	58	61	57	54	52	43	34	65
Breakout LpA @ 1.5m	44	43	46	42	39	37	28	19	51

+ Technical characteristics

Unfortunately an error occurred.

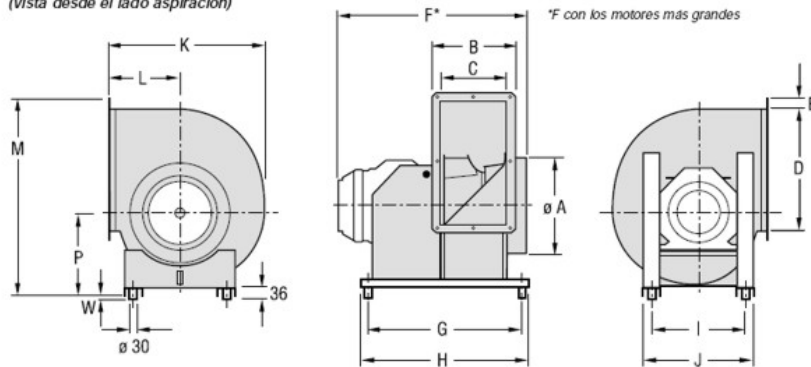
+ Orientation



Standard supplied position: RD 0. Special versions are supplied under request.

+ Dimensions

Rotación directa RD
(Vista desde el lado aspiración)

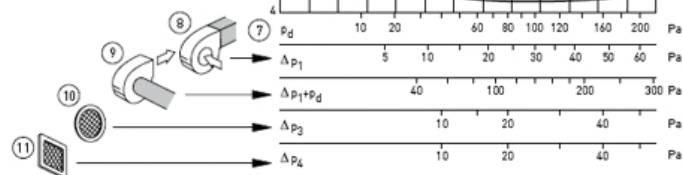
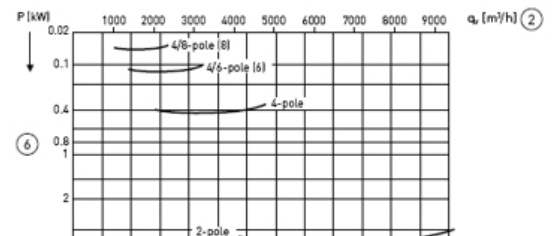
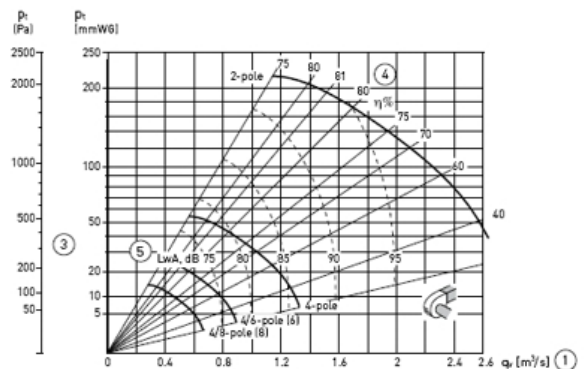


A	B	C	D	E	F	G	H	I	J	K	L	M	P	W
310	277	212	404	30	591	507	537	280	320	518	236	646	275	21

+ Curve - Example of selection

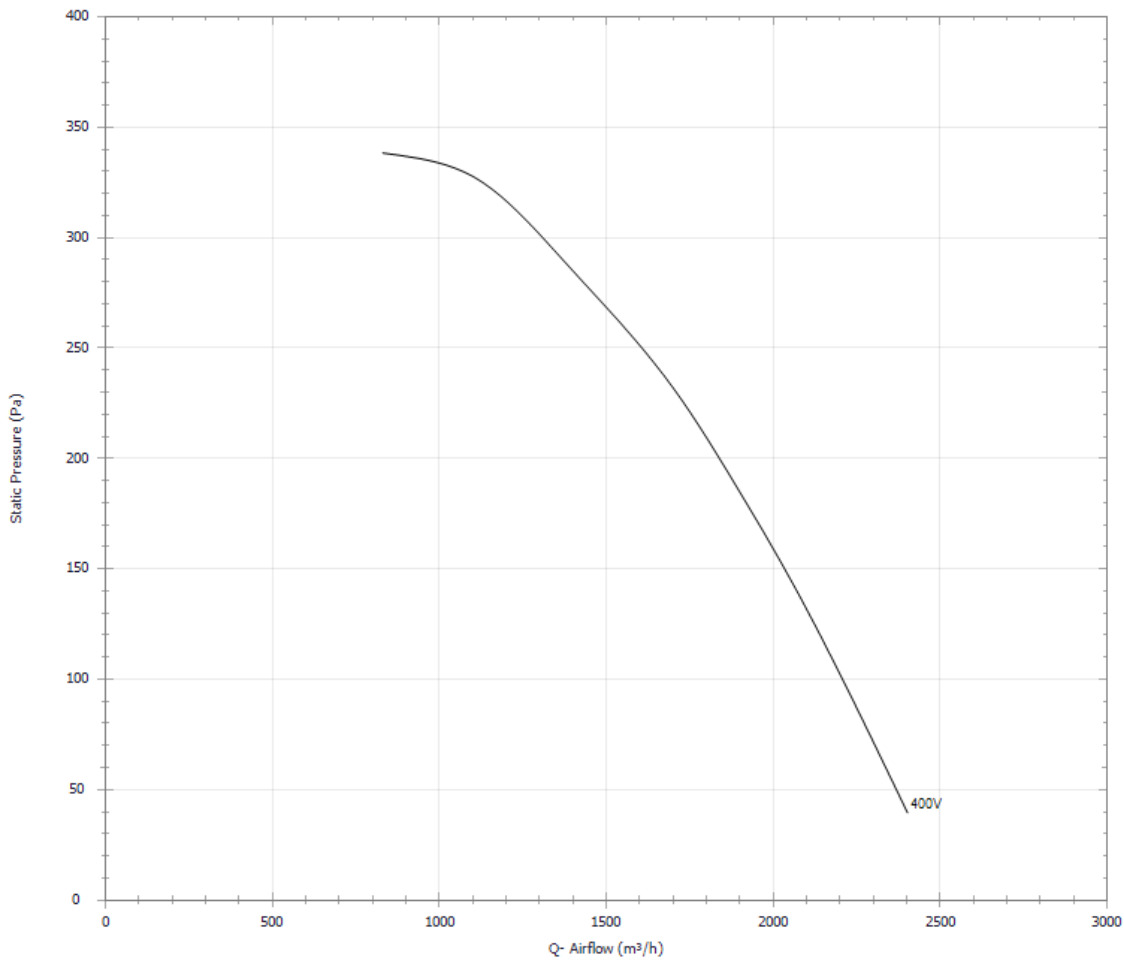
Performance curves are applicable for airflows whose density is 1,2 kg/m³.

- ① = Airflow in m³/s
- ② = Airflow in m³/h
- ③ = Total pressure in Pa and in mmWG
- ④ = Fan performance η , %
- ⑤ = Sound power level in LwA
- ⑥ = Motor power absorbed at the fans shaft P(kW)
- ⑦ = Dynamic pressure at the discharge side Pd
- ⑧ = Resistance at free inlet, Δp_1
- ⑨ = Resistance at free discharge, $\Delta p_2 + p_d$
- ⑩ = Resistance at inlet guard/protection guard, Δp_3
- ⑪ = Resistance at inlet discharge, Δp_4



1 mmWG = 9,8 Pa

+ Curves



+ Mounting Accessories



KRXD
Rectangular guard for mounting at the CXRT fan outlet.



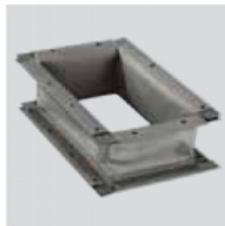
KXBD
Outlet flange.



ACPEL F400 N *
Circular flexible connector.
Certified F4U0-120.



KRXA
Proof guard for mounting at the CXF fan inlet.



KAXD
Rectangular flexible connector for mounting at the CXRT fan outlet.

* For more information see Mounting Accessories.