



ACOUSTIC CABINET FANS CVB / CVT CENTRIBOX Series

CVT-380/380 N 2200W
EXPORT 230/400V 50HZ* VE

Cabinet fans manufactured from heavy gauge galvanised steel sheet and internally lined with melamine foam acoustic insulation (M1). All models incorporate double inlet single phase direct-drive forward curved centrifugal fan fitted with anti vibration mounts and IP55 remote terminal box. All fans installed in acoustic cabinet fans CVB / CVT comply with the efficiency requirements of the ErP Directive.
All cabinets can be installed outdoors as standard.

Motors

Available, depending upon the model, with single phase motors in 4 or 6 poles.
Motors are IP44 or IP55 (1), Class F insulation, with ball bearings and thermal protection.

Electrical supply:

Single phase 230V-50Hz.

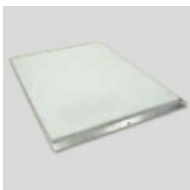
Three phase 230/400V-50Hz.

All single phase models are speed controllable by tension (except CVB/4-270/200 373W).

All three phase models are speed controllable by frequency inverter.(1) See technical characteristic chart.

Working temperature from -20°C to +40°C.

+ Attributes



Low noise level

Acoustic insulation of 7 mm thickness (M1) melamine foam reducing the noise level significantly.



Outdoor installation

All cabinets can be installed outdoors as standard.



Easy to mount

All models are supplied with four mounting feet to facilitate installation.



Flame retardant IP55 remote terminal box

To ease installation and connection to external controls.



Anti-vibration mounts

Reducing vibration and noise transmission to the installation.



Circular duct connection flanges

In line circular duct connection flanges at the inlet and discharge.

+ Acoustic characteristics

Hz	63	125	250	500	1k	2k	4k	8k	Overall
Inlet (LwA)	57	67	68	74	70	63	60	51	77
Inlet LpA @ 1.5m	42	52	53	59	55	48	45	36	62
Outlet (LwA)	57	69	71	78	82	81	77	70	86
Outlet LpA @ 1.5m	42	54	56	63	67	66	62	55	72
Breakout (LwA)	57	64	61	63	59	53	47	40	69
Breakout LpA @ 1.5m	42	49	46	48	44	38	32	25	54

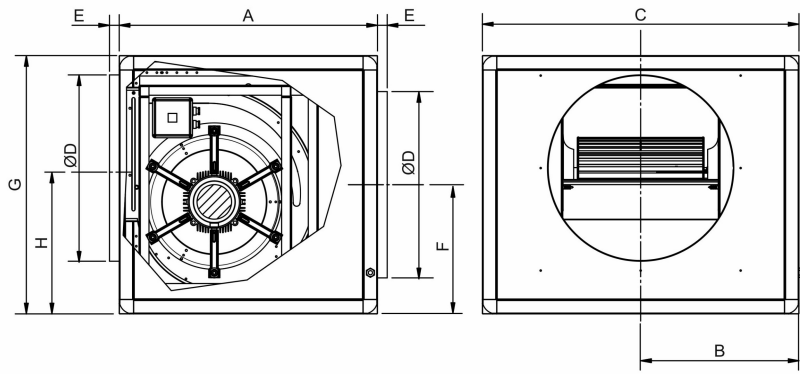
''

+ Technical characteristics

Unfortunately an error occurred.

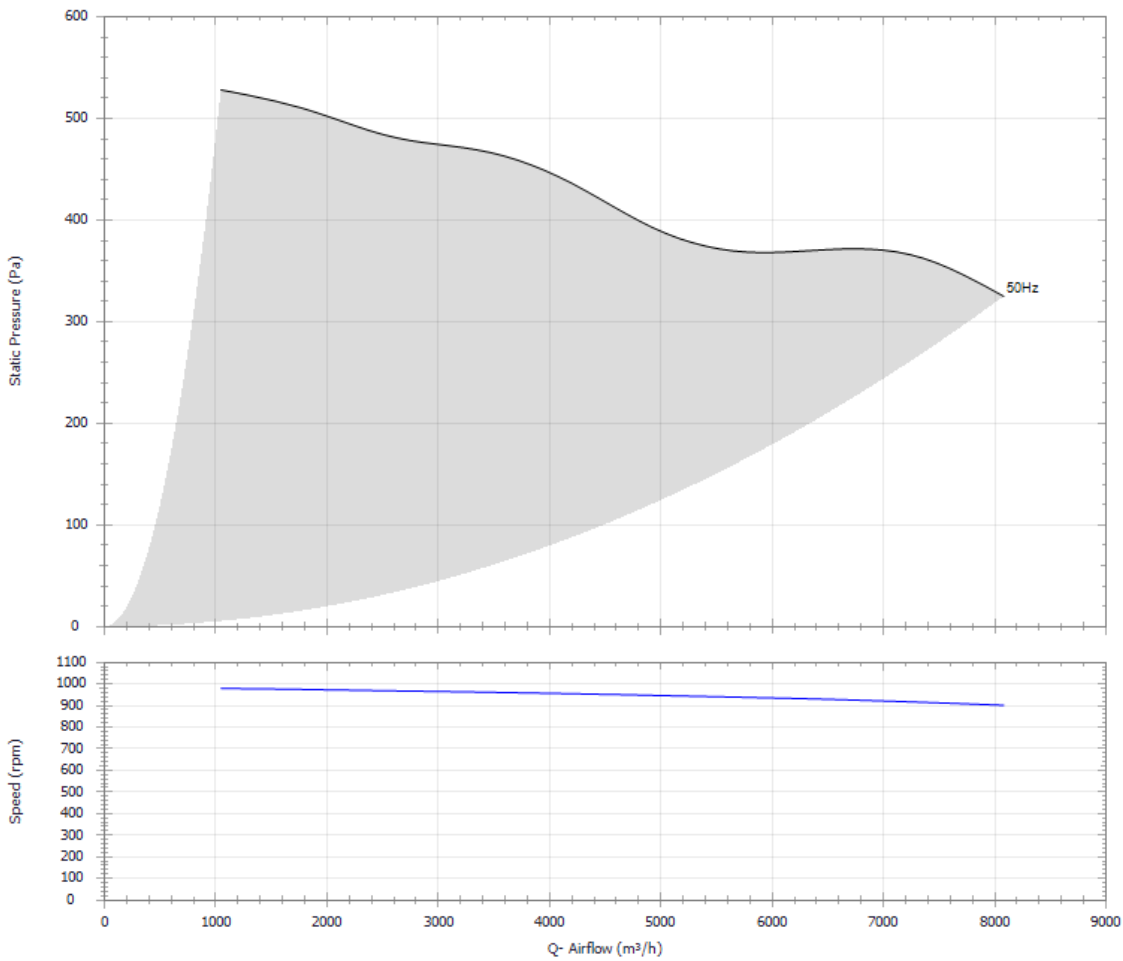
''

+ Dimensions



A	B	C	D	E	F	G	H
775	475	950	559	30	387.5	775	437.5

+ Curves



+ Mounting Accessories



MBE
Electric heater.



MBW
Hot water coil.



SIL
Sound attenuators



CBR
Rectangular duct connectors
Can be used instead of the circular spigots supplied as standard.



CRC
Circular reducers
To enable the connection of a smaller diameter ducting.



ACOPEL F400 N
Circular flexible connector.



KSE
Flexible supports
Rubber anti-vibration mounts to reduce vibration and noise transmission to the installation.
(1KSE = set of 4 supports per bag)



APC
Round outlet guards
Discharge protection guards for direct connection to the inlet-outlet flange