



ROOF MOUNTED FANS CRVB / CRVT Series - Vertical discharge

CRVB/8-500 (230V50HZ) VE



Range of centrifugal roof mounted fans in vertical discharge format:

- Very low profile design.
 - Base manufactured from galvanised sheet steel.
 - Centrifugal backward curved impeller.
 - External rotor motor.
 - Cowl manufactured from spun aluminium.
- Available, depending upon the model, with single or three phase motors in 2, 4, 6, or 8 poles.

Motors

All motors are IP54, Class F insulation with safety thermal overload protection.

Electrical supply:

- Single phase 230V-50Hz (CRHB).
- Three phase 400V-50Hz (CRHT).

Speed controllable by Voltage.

Additional information

ON-OFF electrical isolation switch fitted.

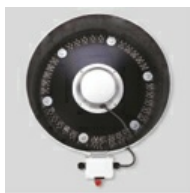
On request

Models (400 to 1000) with 2 speed motors (4/8).

+ Attributes



Backward curved centrifugal impellers
To prevent accumulation of dirt.



Bird proof guard
Steel finger proof guard.



Isolation switch
ON-OFF electrical isolation switch fitted on the fan as standard.

+ Acoustic characteristics

Unfortunately an error occurred.

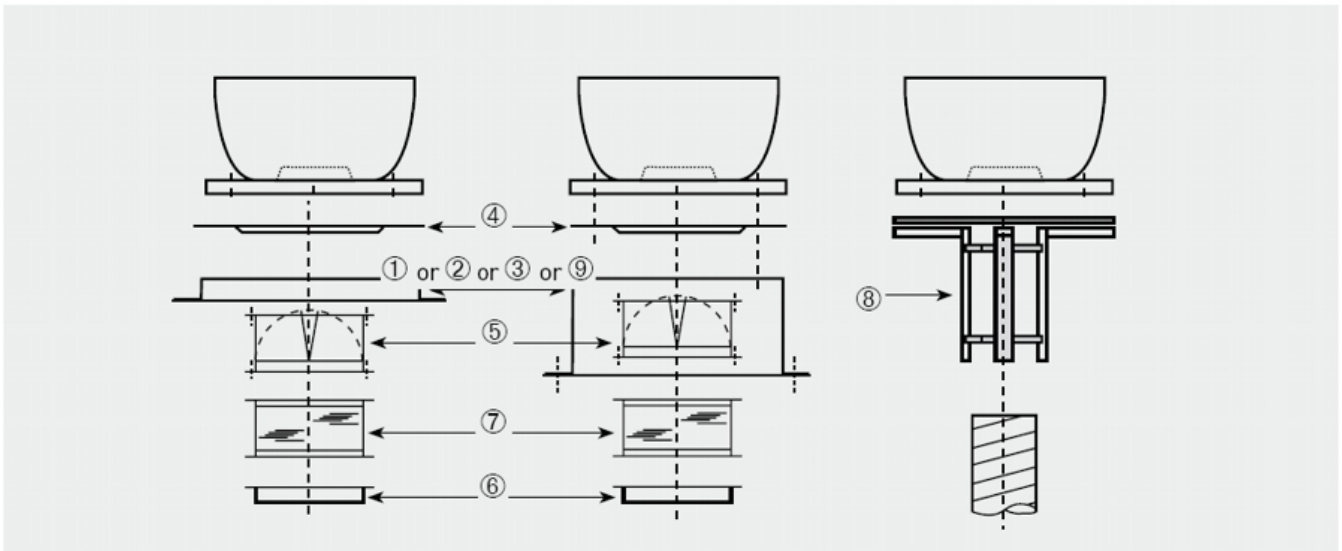
''

+ Technical characteristics

Unfortunately an error occurred.

''

+ Installation



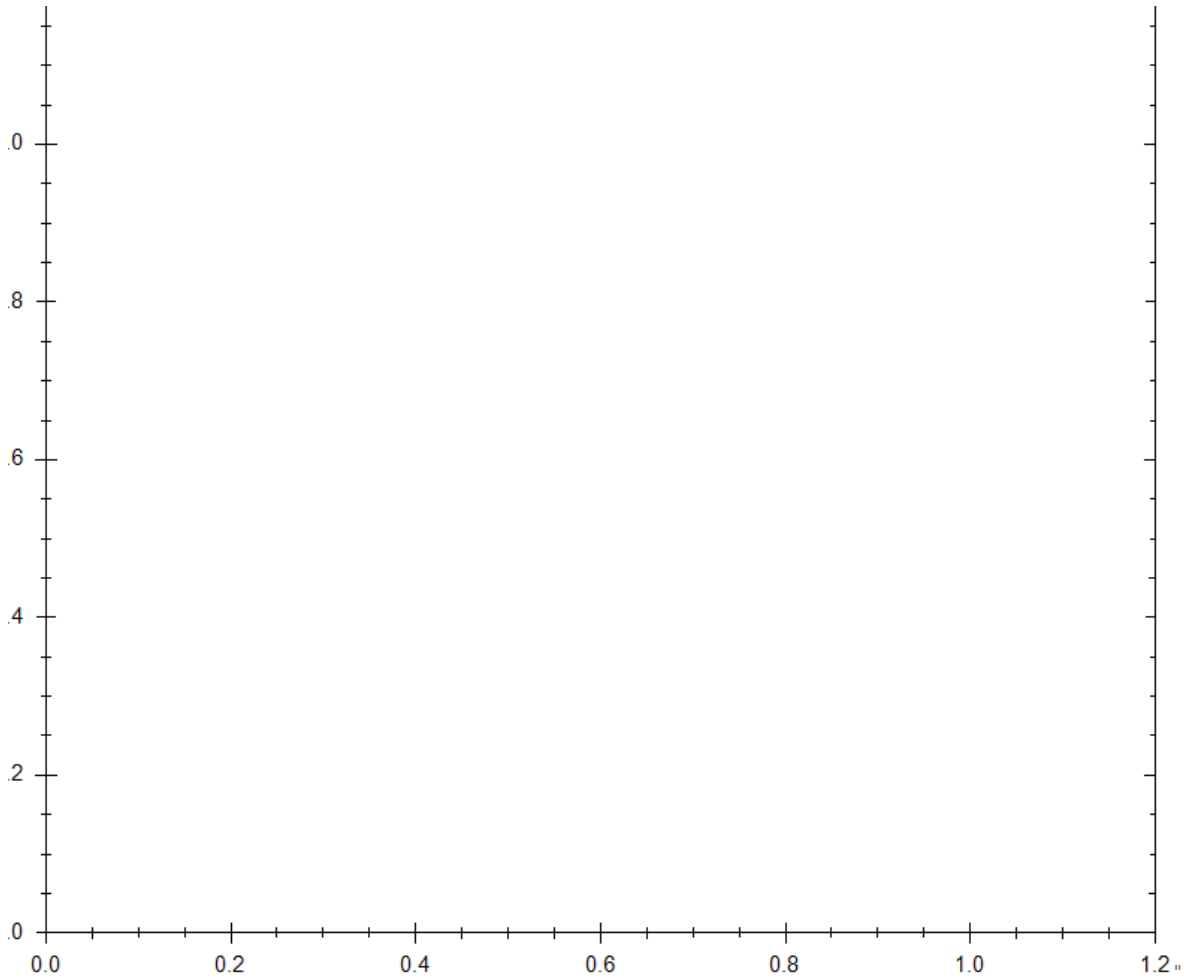
Model of fan	① Sealing frame	② Flat roof insulated up stand	③ Acoustic up stand	④ Accessory adapter plate	⑤ Back draft shutter	⑥ Flange with spigot	⑦ Flexible coupling	⑧ Circular adapter	⑨ Support base for inclined curb mounted installations
225 250	JMS-300	JBS-300	JAA-300	JPA-300	JCA-300	JBR-300 N	JAE-300 N	JCC-300	BI-3
280 315	JMS-435	JBS-435	JAA-435	JPA-435	JCA-435	JBR-435 N	JAE-435 N	JCC-435	BI-4
355 400	JMS-560	JBS-560	JAA-560	JPA-560	JCA-560 N	JBR-560 N	JAE-560 N	JCC-560	BI-5
450 500	JMS-630	JBS-630	JAA-630	JPA-630	JCA-630 N	JBR-630 N	JAE-630 N	JCC-630	BI-6
560	JMS-710	JBS-710	JAA-710	JPA-710	JCA-710 N	JBR-710 N	JAE-710 N	-	BI-7
630	JMS-905	JBS-905	JAA-905	JPA-905	JCA-905 N	JBR-905 N	JAE-905 N	-	BI-9

+ Dimensions

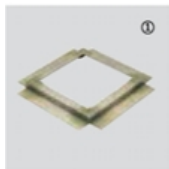
Unfortunately an error occurred.

11

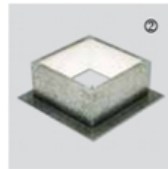
+ Curves



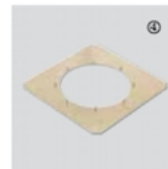
+ Mounting Accessories



JMS Sealing frame
 - For mounting a roof fan on an up stand or base.
 - Supplied with screws and gasket for a complete weatherproof seal.



JBS Flat roof up stand
 - For mounting a fan on a flat roof without up stands.
 - For use on horizontal roofs.
 - Internal insulation to prevent condensation.
 - Supplied with screws and gasket for a complete weather seal.



JPA Accessory adapter plate
 - Used when mounting the accessories (JCA, JBR, JAE).
 - Allows the fan to be disconnected from the upstand without having to remove the duct.



JCA / JCA N Backdraft shutter
 - Prevents backdraft when the fan is not operating.
 - To be mounted at the fan inlet with the JPA plate.



JBR N Flange
 - For use when circular connection is required directly to the fan.
 - To be mounted at the fan inlet with the JPA plate or fixed directly to the fan base (rivets or screws not supplied).



JAE N Flexible coupling
 - Reduces the transmission of vibrations when the duct is connected directly to the fan.
 - To be mounted at the fan inlet with JPA plate.



JCC Adapter for circular duct
 - For use when fitting the models up to 400, directly to a spirally wound circular duct.



BI Support base for inclined curb mounted installations
 - To ensure a proper installation of the CRHB-CRHT roof fan it is essential to specify the roof pitch angle and the distance between the roof beam profiles.



JAA Acoustic up stand
 - Reduces in duct and radiated noise.
 - For use when mounting a fan on a flat roof without up stands.
 - Supplied with screws and gasket for a complete weather seal.

+ Electrical Accessories



REB
Single phase
electronic speed
controllers.



RMB / RMT
Auto transformer
speed controllers.
- For single phase
and three phase
roof fans.



REB-5 / REB-10
Electronic
single-phase
speed controller.



COM D/S
**Three phase fan Y / Δ
switch**
Enables to connect
three phase fans.