



ROOF MOUNTED FANS

CRHB / CRHT Series - Horizontal discharge

CRHT/4-315 (400V50/60HZ) VE



Range of centrifugal roof mounted fans in horizontal discharge format:

- Very low profile design.
 - Bases manufactured from galvanised sheet steel.
 - Centrifugal backward curved impeller.
 - External rotor motor.
 - Cowl manufactured from spun aluminium.
- Available, depending upon the model, with single or three phase motors in 2, 4, 6, or 8 poles.

Motors

All motors are IP54, Class F insulation with safety thermal overload protection.

Electrical supply:

Single phase 230V-50Hz (CRHB).

Three phase 400V-50Hz (CRHT).

Speed controllable by Voltage.

Models with three phase motors controllable by frequency inverter.

Additional information

ON-OFF electrical isolation switch fitted.

On request

Models (400 to 1000) with 2 speed motors (4/8).

+ Attributes



Low profile

External rotor motor to limit the height of the fan.



Bird proof guard

Steel finger proof guard.



Isolation switch

ON-OFF electrical isolation switch fitted on the fan as standard.

+ Acoustic characteristics

Unfortunately an error occurred.

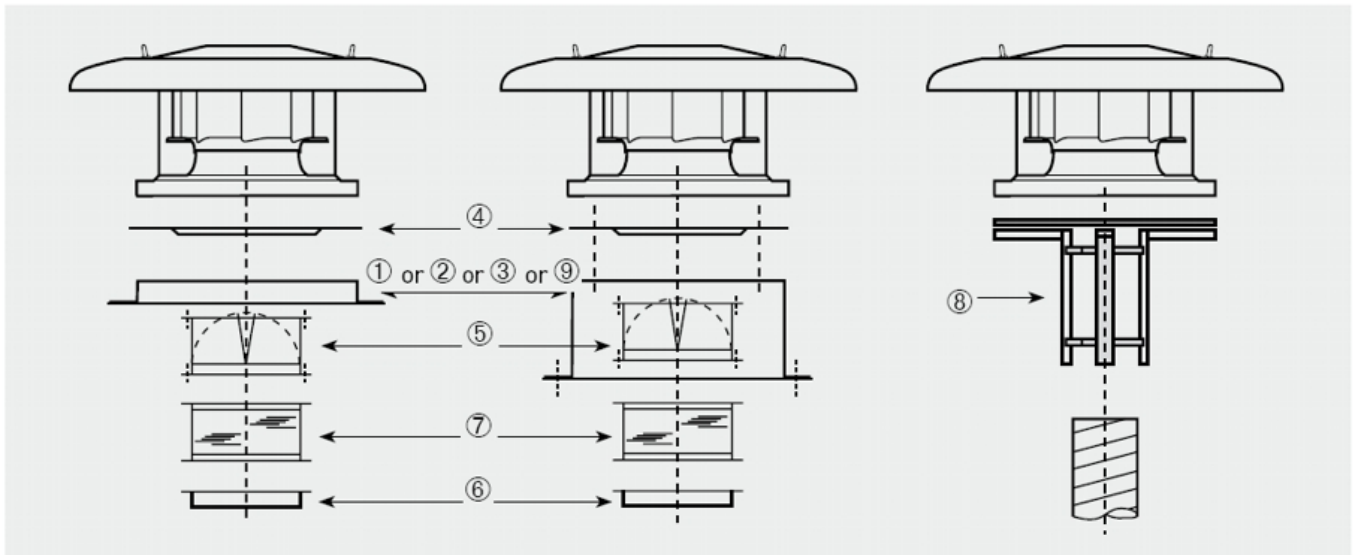
''

+ Technical characteristics

Unfortunately an error occurred.

''

+ Installation



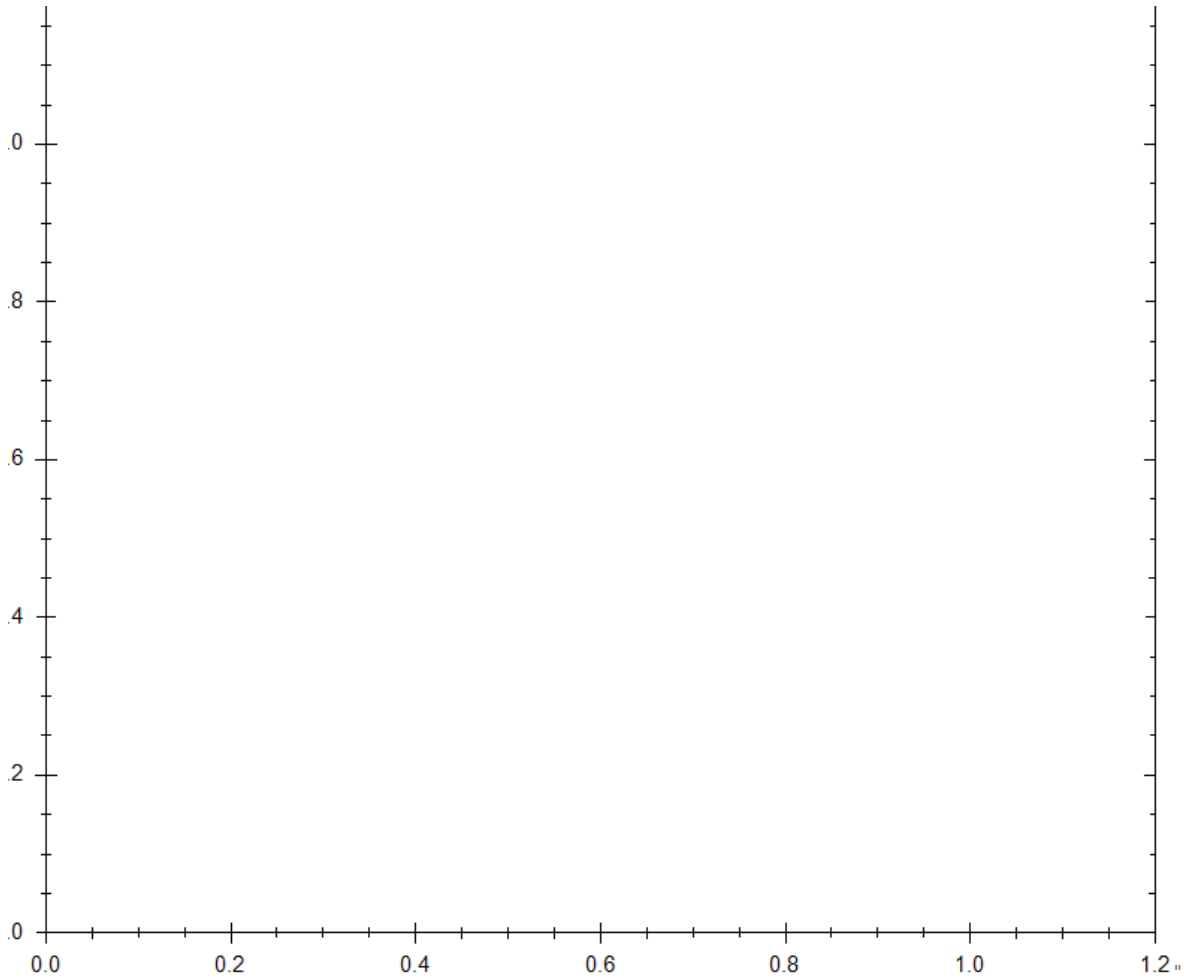
| Model of fan | ① Sealing frame | ② Flat roof insulated up stand | ③ Acoustic up stand | ④ Accessory adapter plate | ⑤ Back draft shutter | ⑥ Flange with spigot | ⑦ Flexible coupling | ⑧ Circular adapter | ⑨ Support base for inclined curb mounted installations |
|--------------|-----------------|--------------------------------|---------------------|---------------------------|----------------------|----------------------|---------------------|--------------------|--|
| 225 250 | JMS-300 | JBS-300 | JAA-300 | JPA-300 | JCA-300 | JBR-300 N | JAE-300 N | JCC-300 | BI-3 |
| 280 315 | JMS-435 | JBS-435 | JAA-435 | JPA-435 | JCA-435 | JBR-435 N | JAE-435 N | JCC-435 | BI-4 |
| 355 400 | JMS-560 | JBS-560 | JAA-560 | JPA-560 | JCA-560 N | JBR-560 N | JAE-560 N | JCC-560 | BI-5 |
| 450 500 | JMS-630 | JBS-630 | JAA-630 | JPA-630 | JCA-630 N | JBR-630 N | JAE-630 N | JCC-630 | BI-6 |
| 560 | JMS-710 | JBS-710 | JAA-710 | JPA-710 | JCA-710 N | JBR-710 N | JAE-710 N | - | BI-7 |
| 630 | JMS-905 | JBS-905 | JAA-905 | JPA-905 | JCA-905 N | JBR-905 N | JAE-905 N | - | BI-9 |

+ Dimensions

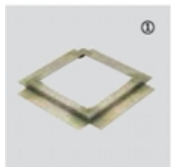
Unfortunately an error occurred.

11

+ Curves



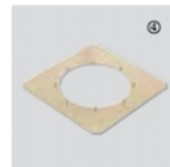
+ Mounting Accessories



JMS
Sealing frame
- For mounting a roof fan on an up stand or base.
- Supplied with screws and gasket for a complete weatherproof seal.



JBS
Flat roof up stand
- For mounting a fan on a flat roof without up stands.
- For use on horizontal roofs.
- Internal insulation to prevent condensation.
- Supplied with screws and gasket for a complete weather seal.



JPA
Accessory adapter plate
- Used when mounting the accessories (JCA, JBR, JAE).
- Allows the fan to be disconnected from the upstand without having to remove the duct.



JCA / JCA N
Backdraft shutter
- Prevents backdraft when the fan is not operating.
- To be mounted at the fan inlet with the JPA plate.



JBR N
Flange
- For use when circular connection is required directly to the fan.
- To be mounted at the fan inlet with the JPA plate or fixed directly to the fan base (rivets or screws not supplied).



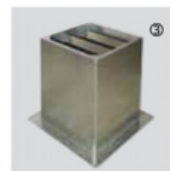
JAE N
Flexible coupling
- Reduces the transmission of vibrations when the duct is connected directly to the fan.
- To be mounted at the fan inlet with JPA plate.



JCC
Adapter for circular duct
- For use when fitting the models up to 400, directly to a spirally wound circular duct.



BI
Support base for inclined curb mounted installations
- To ensure a proper installation of the CRHB-CRHT roof fan it is essential to specify the roof pitch angle and the distance between the roof beam profiles.



JAA
Acoustic up stand
- Reduces in duct and radiated noise.
- For use when mounting a fan on a flat roof without up stands.
- Supplied with screws and gasket for a complete weather seal.

+ Electrical Accessories



REB
Single phase
electronic speed
controllers.



RMB / RMT
Auto transformer
speed controllers.
- For single phase
and three phase
roof fans.



REB-5 / REB-10
Electronic
single-phase
speed controller.



COM D/S
**Three phase fan Y / Δ
switch**
Enables to connect
three phase fans.