



CENTRIFUGAL SINGLE INLET PLASTIC FANS

CMPT (2) Series

CMPT/6-70 60/160 30KW
LG000 (400/690V 50HZ)



Range of single inlet direct drive centrifugal fans manufactured from tough injection moulded polypropylene plastic, motor support and designed for extraction of corrosive fumes.

All the fans are provided with forward curved centrifugal impellers manufactured from injection moulded polypropylene plastic.

Available, depending upon the model, with single or three phase motors in 2, 4, 6 or 8 poles.

Working temperature from -10 to 60 °C.

Motors

All motors are IP55, class F insulation.

Electrical supply:

Single phase 230V-50Hz up to 1,1 kW.

Three phase 230/400V-50Hz.

Three-phase motor fans speed controlable by inverter (See characteristics chart).

Additional information

The mounting frames are manufactured from:

- Nylon (models from 14 to 25)

- Polypropylene (models 30 and 35)

- Galvanised sheet steel (model 42 to 70)

Standard supplied position: LG 0.

The scroll can be orientated in 8 different positions. Screws in stainless steel.

On request

Fan supplied in RD positions.

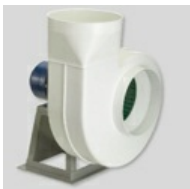
(Except models 14, 20A and 30A).

Two speed motors.

Scroll fitted with a permanent drain to evacuate condensation water.

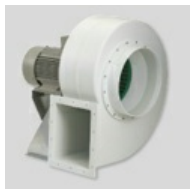
ATEX version (see CMPT ATEX series).

+ Attributes



Circular outlet duct connection

For models up to CMPT-30 and CMPT-25M



Rectangular outlet duct connection

For models CMPT-35 and CMPT-42, CMPT-20A, CMPT-25A and CMPT-30A



Though and quality design

Tough Injection moulded polypropylene plastic. Screws in stainless steel



Forward curved centrifugal impeller

Forward curved centrifugal impeller manufactured from injection moulded polypropylene plastic

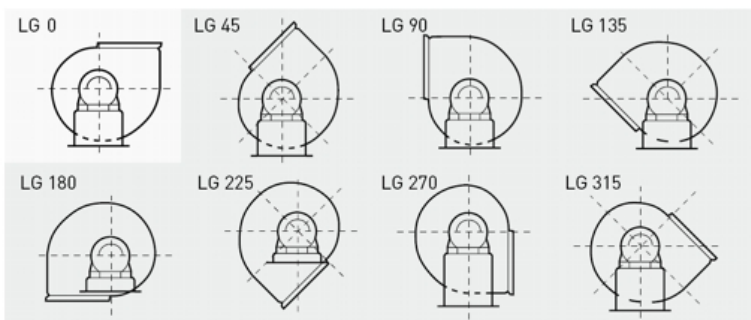
+ Acoustic characteristics

Unfortunately an error occurred.

+ Technical characteristics

Unfortunately an error occurred.

+ Orientation



LG 0 standard supplied position. Other LG positions and RD configuration manufactured on request.

+ Dimensions

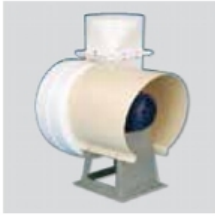
Unfortunately an error occurred.

11

+ Curves



+ Mounting Accessories



CMP-14 to 42



CMP-50, 60 and 70

CMP
Motor shield



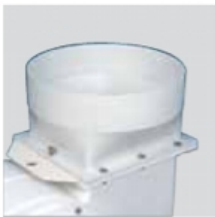
CTP-N
Rain cowl
Discharge terminal with
rain sleeve.



DEF-CIR
Protection guard
To prevent any contact with the
impeller fan.
To install at the inlet side.



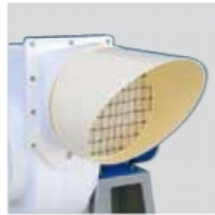
REP-400/355
PVC reducer used to connect
sections of different
diameters.



ACP-N
Outlet transformation
connector
Provided with a sliding blade to
control the airflow.



MFP-N
Inlet flexible
connector
Fan inlet flexible
coupling.



APP-N
Discharge protection guards
For direct connection to the
circular outlet flange.



CARP-N
Circular damper
Manually operated
circular damper.



APR
Protection guard
Protection guards for direct
connection to the rectangular
outlet flange. Provided with a
sliding blade to control the
airflow.



SILP
Silencer
Silencer to be installed either
at the inlet or outlet of the fan.