



LOW PRESSURE CENTRIFUGAL FANS CBM Small Series

CBM/4-180/075-115 W
230V 50 VE



Range of single and double inlet direct driven low pressure centrifugal fans manufactured from galvanised sheet steel and protected against corrosion by a black polyester paint coating.

All the models are fitted with forward curved centrifugal impellers manufactured from galvanized sheet steel.

Available, depending upon the model, with single phase motors in 2, 4 or 6 poles.

Motors

All motors are IP44, Class B, equipped with thermal protection and ball bearings greased for life.

Electrical supply:

-Single phase 230V-50Hz.

External rotor motor.

Speed controllable by Voltage.

On request

Coupling flange fitted at the fan outlet.

+ Attributes



Compact design

Special design of the whole assembly Motor over Impeller which provides a compact size specially in single inlet models



Impeller dynamically balanced

Impeller dynamically balanced, according to ISO 1940 standard, providing vibration free operation

+ Acoustic characteristics

No sound information available.

Hz	63	125	250	500	1k	2k	4k	8k	Overall
----	----	-----	-----	-----	----	----	----	----	---------

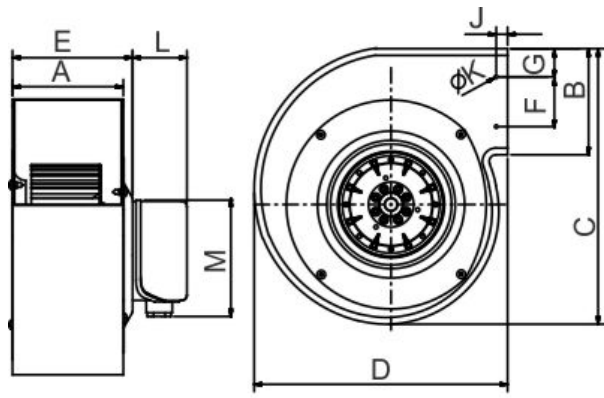
"

+ Technical characteristics

Unfortunately an error occurred.

"

+ Dimensions



A	B	C	D	E	F	G	J	K	L	M
110	122.5	261	267	110	80	21.2	10	3.1	48	103

+ Curves

