



LOW PRESSURE CENTRIFUGAL FANS CBM Series

CBM-9/9 550 4P VR
(230V50)F V5



Range of double inlet direct driven low pressure centrifugal fans manufactured from galvanised sheet steel. All the models are fitted with forward curved centrifugal impellers manufactured from galvanized sheet steel.

Motors

Housing closed motors, IP44, class F, equipped with thermal protection and ball bearings greased for life.

Electrical supply:

4 or 6 pole depending on version. Single phase 230V-50Hz (capacitor fitted On the fan housing).

Three phase 230/400V-50Hz. (See characteristics chart).

On request

Housing open motors IP20, class F. Coupling flange fitted at the fan outlet (B version). Special version kitchen IP55, class F.

Three phase motors suitable for frequency inverter control.

+ Attributes



Anti-vibration mounts All motors are fitted with support including rubber antivibration mounts reducing the noise transmitted to the installation.



Impeller dynamically balanced Impeller dynamically balanced, according to ISO 1940 standard, providing vibration free operation.

+ Acoustic characteristics

Unfortunately an error occurred.

+ Technical characteristics

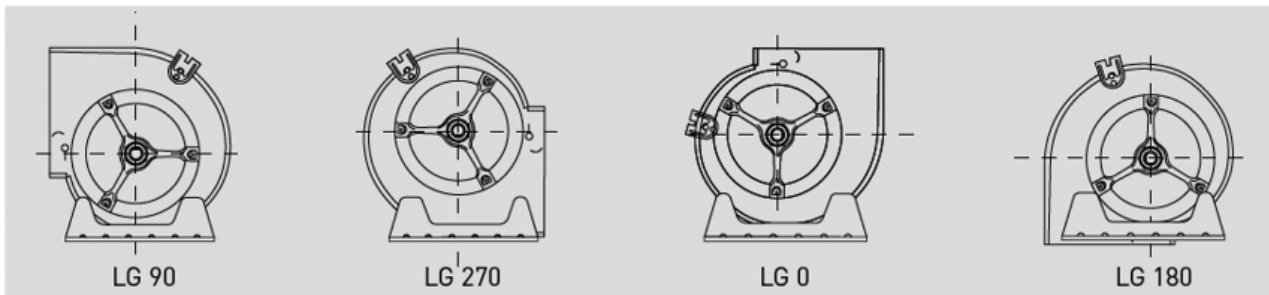
Unfortunately an error occurred.

+ Reference

CBM	9/9	373	6P	T	C	VR	K	BB	MP	IP55
1	2	3	4	5	6	7	8	9	10	11

- | | | |
|-------------------------------------------------------------------------------------------------------------------------------------------------------------------------------------------------------------------------------------------------------------------------------------------------------------------------------------------|-----------------------------------------------------------------------------------------------------------------------------------------------------------------------------------------------------------------------------------------------------------------------------------------------------|---------------------------------------------------------------------------------------------------------------------------------------------------------------------------------------------------------------------------------------------------------------------------------------|
| <p>1 - Product range.</p> <p>2 - 7/7, 9/7, 9/9, 10/8, 10/10, 12/9, 12/12, 15/15
Wheel dimensions in inches.</p> <p>3 - Motor Power (W).</p> <p>4 - 4P, 6P: Number of pole.</p> <p>5 - Nothing: Single phase.
T: Three phase.</p> <p>6 - C: Closed motor (IP44).
RE: External Rotor Motor.
Nothing: Open motor (IP20).</p> | <p>7 - Nothing: 1 speed - motor.
2V: fan with 2 speed motor.
3V: fan with 3 speed motor.
VR: Speed controllable motor by tension.
EC-0-10V, EC-CK, EC-PK, EC-CK/DG:
motor with electronic control.</p> <p>8 - Nothing: Standard CBM.
K: CBM Reinforced cubic structure.</p> | <p>9 - Nothing: Standard CBM.
B10, B11, B5, B7, B8, B9, BE: CBM fitted
with outlet coupling flange.
The number indicates the fixing holes
diameter.</p> <p>10 - Nothing: Product on individual packing.
MP: Multi product palletizing.</p> <p>11 - IP rating.</p> |
|-------------------------------------------------------------------------------------------------------------------------------------------------------------------------------------------------------------------------------------------------------------------------------------------------------------------------------------------|-----------------------------------------------------------------------------------------------------------------------------------------------------------------------------------------------------------------------------------------------------------------------------------------------------|---------------------------------------------------------------------------------------------------------------------------------------------------------------------------------------------------------------------------------------------------------------------------------------|

+ Orientation



Mounting feet (accessory) allow 4 positions of the inlet discharge.

+ Dimensions

Unfortunately an error occurred.

11

+ Curves



+ Mounting Accessories



Outlet flange CBM



Mounting feet

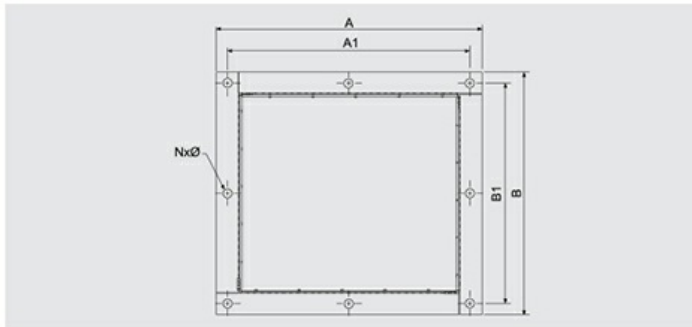


Inlet guard

Model	Outlet flange CBM	Mounting feet	Inlet guard
CBM-7/7	Brida desc. CBM-7/7	PIE SOPORTE CBP/CBM 7/7	DEF-CBM-7
CBM-9/7	Brida desc. CBM-9/7	PIE SOPORTE CBP/CBM 9/9	DEF-CBM-9
CBM-9/9	Brida desc. CBM-9/9	PIE SOPORTE CBP/CBM 9/9	DEF-CBM-9
CBM-10/8	Brida desc. CBM-10/8	PIE SOPORTE CBP/CBM 10/10	DEF-CBM-10
CBM-10/10	Brida desc. CBM-10/10	PIE SOPORTE CBP/CBM 10/10	DEF-CBM-10
CBM-12/9	Brida desc. CBM-12/9	PIE SOPORTE CBP/CBM 12/12	DEF-CBM-12
CBM-12/12	Brida desc. CBM-12/12	PIE SOPORTE CBP/CBM 12/12	DEF-CBM-12
CBM-15/15	-	-	DEF-CBM-15

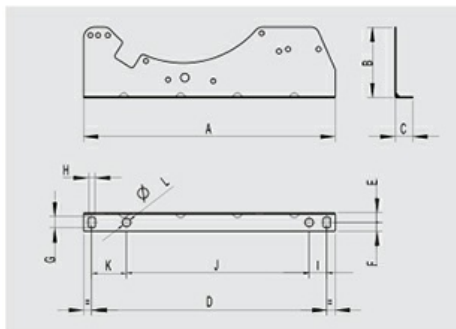
Accessories dimensions (mm)

Outlet flange CBM



Model	A	A1	B	B1	NxØ (mm)
Brida desc. CBM-7/7	289	264	265	240	8x9
Brida desc. CBM-9/7	273	253	302	280	8x9
Brida desc. CBM-9/9	360	328	315	285	8x10
Brida desc. CBM-10/8	314	293	339	316	8x9
Brida desc. CBM-10/10	380,5	359	339	316	8x9
Brida desc. CBM-12/9	362	341	394,5	374	8x9
Brida desc. CBM-12/12	447	426	394,5	374	8x9

Mounting feet



Model	A	B	C	D	E	F	G	H	I	J	K	L
7/	254	47	26	227	13,5	12,5	16	10,5	15	195	15	12
9/	325	102	26	297	13,5	12,5	16	10,5	-	-	35,7	10,5
10/	363	102	26	339	13,5	12,5	16	10,5	37,5	263,5	62	12
12/	434	144	26	407	13,5	12,5	16	10,5	48	333,5	25,5	12